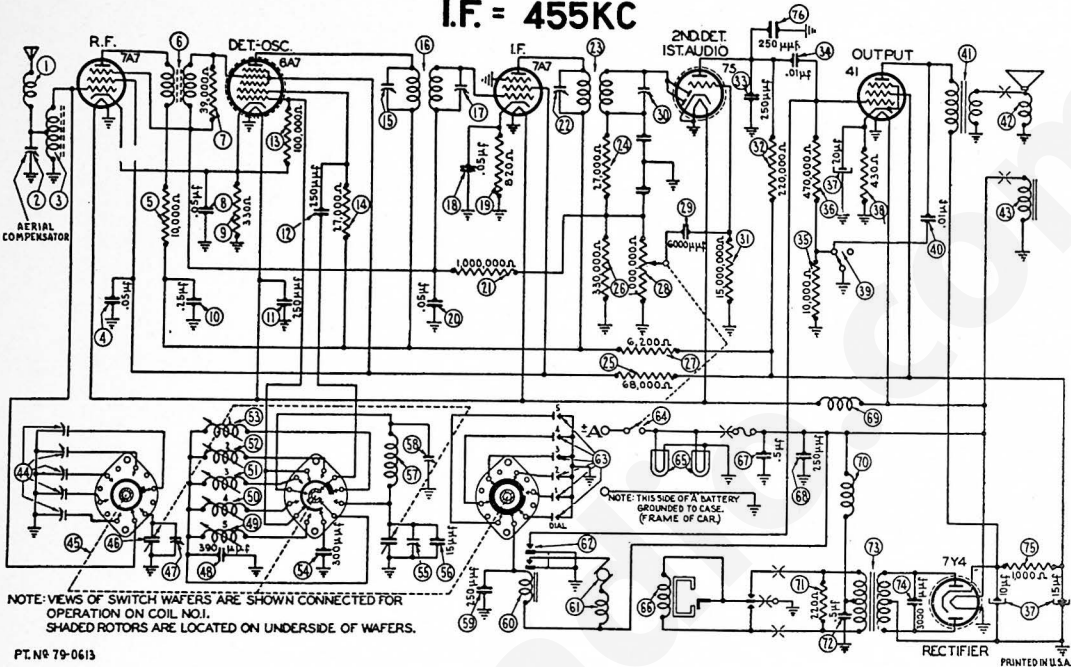


MODEL AR-7

I.F. = 455KC

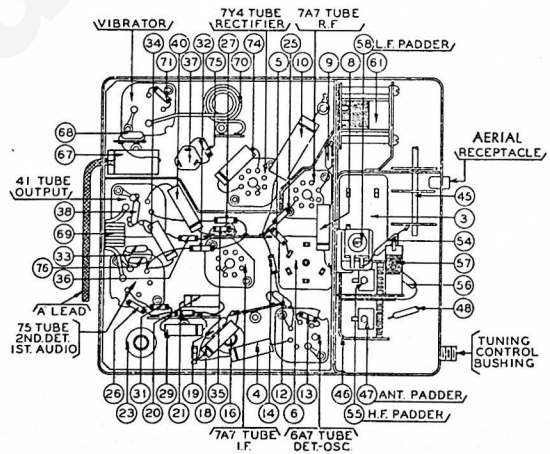


PT. NO 79-0613

Aligning Procedure will be found on page 165B.

PARTS LIST

No.	Description	Part No.	No.	Description	Part No.
1	Antenna Choke	65-0102	61	Cone and Voice Coil	81-0023
2	Aerial Compensator	part of 49	62	Field Coil (Not Replaceable)	
3	Antenna Transformer	65-0085	63	Antenna Padders Assy.	77-0172
4	Condenser (.05 mfd.)	61-0101	64	Wafer Switch	77-0207
5	Resistor (10,000 ohms)	33-310334	65	Tuning Condenser	63-0016
6	R. F. Transformer	65-0009	66	Antenna Padder (on Tun. Cond.)	
7	Resistor (39,000 ohms)	33-339154	67	Silver Mica Condenser	
8	Condenser (.05 mfd.)	61-0101	68	(300 mmfd.)	61-0031
9	Resistor (330 ohms)	33-133336	69	Oscillator Transformer	65-0090
10	Condenser (.25 mfd.)	61-0125	70	Oscillator Transformer	65-0090
11	Condenser (250 mmfd.)	61-0033	71	Oscillator Transformer	65-0089
12	Resistor (100,000 ohms)	33-410154	72	Oscillator Transformer	65-0088
13	Resistor (27,000 ohms)	33-327334	73	Oscillator Transformer	65-0038
14	Padder (Pri. 1st I.F. Trans.)	65-0044	74	Silver Mica Condenser	
15	First I. F. Transformer	65-0044	75	(300 mmfd.)	61-0003
16	Padder (Sec. 1st I.F. Trans.)	61-0101	76	H. F. Padder (on Tun. Cond.)	61-0038
17	Resistor (820 ohms)	33-182438	77	Oscillator Transformer	65-0134
18	Condenser (.05 mfd.)	61-0111	78	Low Frequency Padder	31-8230
19	Resistor	33-510154	79	Condenser (250 mmfd.)	61-0033
20	Padder (Pri. 2nd I.F. Trans.)	65-0230	80	Control Magnet	part of 40
21	Resistor (27,000 ohms)	33-327154	81	Molur Assembly	77-0229
22	Resistor (68,000 ohms)	33-368334	82	Relay	part of 40
23	Resistor (330,000 ohms)	33-435154	83	Push Button Switch Assy.	85-0114
24	Resistor (620 ohms)	33-324334	84	On-Off Switch	part of 40
25	Volume Control (1,000,000 ohms)	33-5268	85	Pilot Lamp	34-2040
26	and On-Off Switch	33-5268	86	Vibrator	83-0025
27	Condenser (6000 mmfd.)	61-0103	87	Condenser (.5 mfd.)	61-0106
28	Padder (Sec. 2nd I.F. Trans.)	65-0154	88	Condenser (250 mmfd.)	61-0033
29	Resistor	33-615154	89	Pilament Choke	32-1644
30	(15,000,000 ohms)	33-615154	90	Vibrator Choke	65-0075
31	Resistor	33-422334	91	Resistor (220 ohms)	33-122334
32	(220,000 ohms)	33-422334	92	Condenser (.5 mfd.)	61-0137
33	Condenser (250 mmfd.)	61-0033	93	Power Transformer	65-0328
34	Condenser (.01 mfd.)	61-0120	94	Resistor (3000 mmfd.)	61-1115
35	Resistor (10,000 ohms)	33-310334	95	Resistor (1000 ohms)	33-210334
36	Resistor	33-447154	96	Condenser (2500 mmfd.)	61-0033
37	(470,000 ohms)	33-447154	97	Complete Speaker	73-0014-2
38	Filter Condenser	10-15-20 mfd.)	98	Loktal Socket	27-6131
39	(10-15-20 mfd.)	81-0089	99	4 Prong Socket	27-6044
40	Resistor (430 ohms)	33-143438	0	6 Prong Socket	27-6038
41	Tone Control Switch	85-0102			
42	Condenser (.01 mfd.)	61-0120			
43	Output Transformer	85-0048			



No.	Description	Part No.	No.	Description	Part No.
1	7 Prong Socket	27-6037	11	Flexible Shaft	57-0631
2	8 Prong Socket	25-0274	12	Dial Cable	42-5842
3	Automatic Control Socket	55-0274	13	Tuning and Volume Knob	27-4689
4	Volume Control Socket	55-0945	14	Control Mtg. Bracket	28-5700
5	Housing	77-0521PC45	15	Control Mtg. Bracket Screws	W1307
6	Wiring Side Cover	77-0563	16	Upper Aerial Stanchion Kit	45-1438
7	Tube Side Cover	57-1394PC45	17	Lower Aerial Stanchion Kit	45-1437
8	"T" Bolt (Radio Mtg.)	28-6161FA3	18	Aerial Rod (48 3/4")	57-1248
9	Nut (Radio Mtg.)	W518FA1	19	Aerial Rod (60")	57-1249
10	Washer (Radio Mtg.)	28-9060FA1	20	Aerial Rod (94")	57-1247
	Interference Condenser	30-4007	21	Aerial Lead	95-0124
	Distributor Resistor	33-1195	22	All Aerial Parts Used in Part Nos. 91-0109, 91-0110 & 91-0111 Cowl Aerial	
	Fuse	7227			
	Standard Control	85-0117			
	Dial	85-0304			